



FieldServer Driver - Fieldbus FS-8700-104 ControlNet X30 Adapter Driver

Description

The FieldServer ControlNet X30 Adapter driver can be used to emulate a single slave station on a ControlNet network. ControlNet scanners can open a connection of up to 450 Bytes in each direction to the FieldServer. Data transfers are via Scheduled Communication and therefore the FieldServer has to be scheduled on the ControlNet network with the use of a Network Configuration Tool such as RSNetWorx or RSLogix. The minimum supported network update time (NUT) is 5ms. Connection to the ControlNet network is via two standard BNC connector ports. The connection may be to either one or both of the ControlNet ports. A connection to both ports provides dual redundant operation. A Network Access Port (NAP) is also provided for the temporary connection of a Network Configuration Tool.

Fieldserver Mode	Nodes	Comments
Server	1	The FieldServer can only emulate one ControlNet Slave station

Formal Driver Type

Fieldbus
Server Only

Compatibility Matrix

FieldServer Model	Compatible with this driver
FS-x2010	No
FS-x2011	No
FS-x40	No
FS-x30	Yes

Connection Information

Connection type: Proprietary
Baud Rates: 5 Mbit/s
Hardware interface: Anybus-S ControlNet



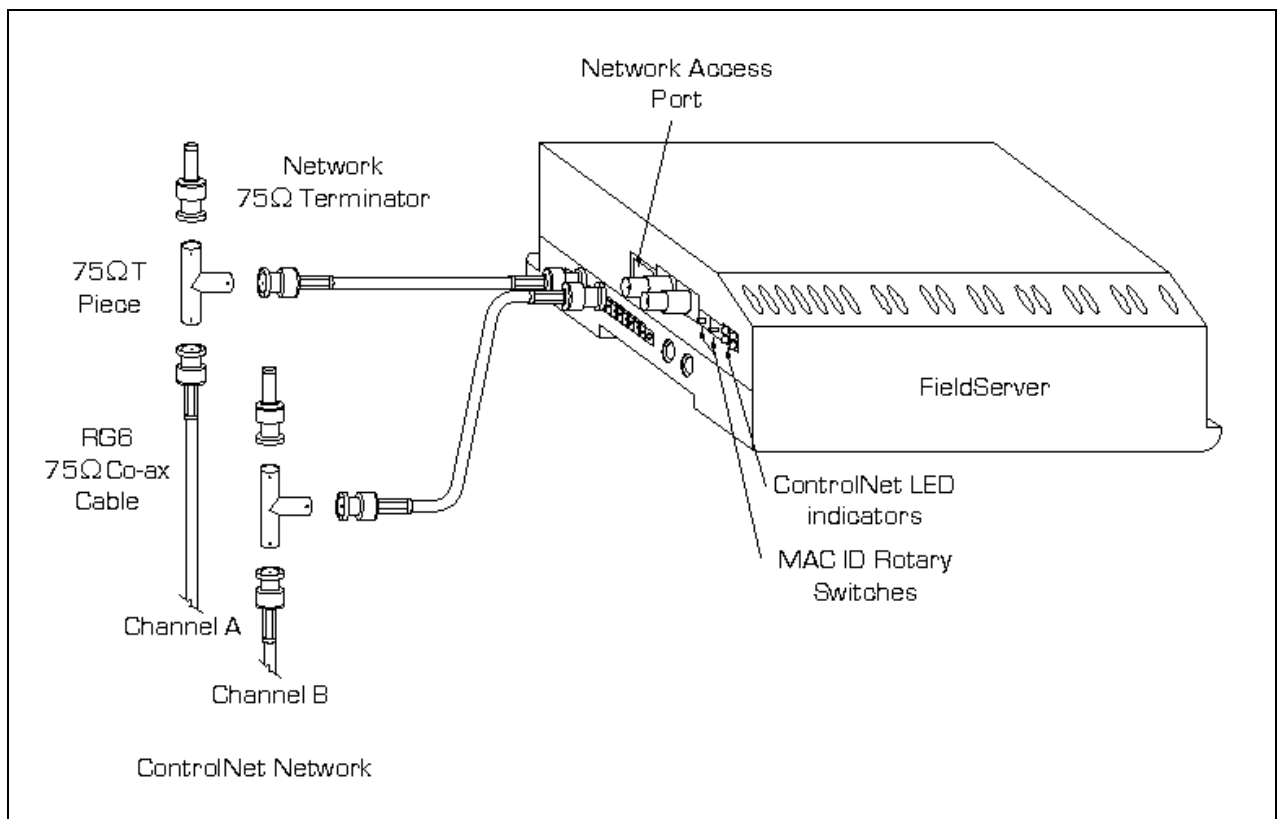
Proprietary Physical Interfaces Supported

Fieldserver Model	Adapter Model #	Vendor	Physical Medium
FS-x30	Anybus-S ControlNet	HMS Networks	75Ω Co-ax

Devices tested

Device	Tested (FACTORY, SITE)
SST-5136-CN-ISA	FieldServer Technologies

Connection configurations



Connection Notes

Recommended cable is RG-6 quad shield Co-ax.



Communications functions - Supported functions at a glance:

Data Types Supported

FieldServer Data Type	Description (or Device Data Type)
2-byte Integer (Signed and Unsigned)	Buffer arranged as WORDS
8-bit Byte	Buffer arranged as BYTES
4-byte Float	Buffer arranged as DWORDS
Bit	Buffer arranged as BYTES

Data Operations supported

FieldServer as a ControlNet Slave
Accept Output Buffer Data from a ControlNet Master (Scanner)
Provide Input Buffer Data to a ControlNet Master (Scanner)

Unsupported Functions and Data Types

Function	Reason
Programming messages	FieldServer is a data transfer device, and as such, programming messages are not required

