

# RSM-5 Meter Kits

- Single-Phase kWh
- 3-Phase kWh
- 3-Phase Demand

## ● 3-Phase kWh and Demand (1600 and 3200 AMP service only)



### Specifications:

- 3-phase meter with CTs
- 120/208V, 277/480V and 480V DELTA
- 1600 amp and 3200 amp\*
- Split core CTs included
- 13.5" X 8.5" X 4.5"
- \*100 - 800 amp also available

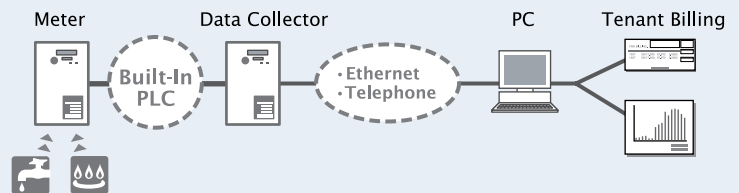
The **RSM-5** 3-phase kWh and demand meters Kits are for 1600 and 3200 AMP services only. These accurate and reliable digital electric meters are easy to install and operate and they deliver real time diagnostics by phase. All metering data are securely stored in a non-volatile flash memory.

### Features / Benefits

- Utility-grade meter; Revenue-grade accuracy (ANSI C12.1)
- Available in kWh and demand models
- Demand models: 15-minute interval data; peak demand with date and time stamp
- Real-time power diagnostics by phase (Voltage, current, phase angle, power factor, watts, and more)
- Event reporting (power downs, demand resets, tampers, etc)
- Non-volatile flash memory
- Built-in Power Line Communications (PLC) for optional remote meter reading
- Communicates through distribution transformers (480/120V)
- Easy to install, rugged steel enclosure
- Installation verification at the meter
- Three-year manufacturer's warranty
- UL, UL-C, Approved by California Div. Of Measurement Standards; Maryland Public Service Commission
- Options: Modem/232/485, RS-485, Modbus RTU protocol (2-wire RS-485), Pulse data inputs (water, gas, BTU)
- Factory programmable Time-of-Use / Time-of-Day ("TOU" "TOD")

### PLC System Option for Remote Reading

All of Quadlogic's metering devices function as stand-alone units or can be used for remote reading with the simple addition of a Scan Transponder (data collector) and communication software. No additional wiring is required. Contact your representative for more information.



### Catalog Numbers

Includes meterhead, fuse block, back box and required current transformers.

Meter Type Volts Amps # of split core CTs included

**RSM5 277 1600 -3 D** Demand Meter

#### 3-Phase, 4-Wire, Wye

Catalog #	Volts	Amps	kWh Only	CT Model
RSM5 1201600-3	120/208V	1600	✓	500T
RSM5 1203200-3		3200	✓	500T
RSM5 2771600-3	277/480V	1600	✓	500T
RSM5 2773200-3		3200	✓	500T
Catalog #	Volts	Amps	kWh and Demand	CT Model
RSM5 1201600-3D	120/208V	1600	✓✓	500T
RSM5 1203200-3D		3200	✓✓	500T
RSM5 2771600-3D	277/480V	1600	✓✓	500T
RSM5 2773200-3D		3200	✓✓	500T

#### 3-Phase, 3-Wire, DELTA

Catalog #	Volts	Amps	kWh and Demand	CT Model
RSM5 480DTA1600-2D	480V	1600	✓✓	500T
RSM5 480DTA3200-2D		3200	✓✓	500T

#### Outdoor Enclosure

Catalog #
RSM5 4X ENC



QUADLOGIC

Tel (212) 930-9300

Fax (212) 930-9394

www.quadlogic.com

RSM5Kit\_3P\_Rev5.0.R

# RSM-5 Meter Wiring

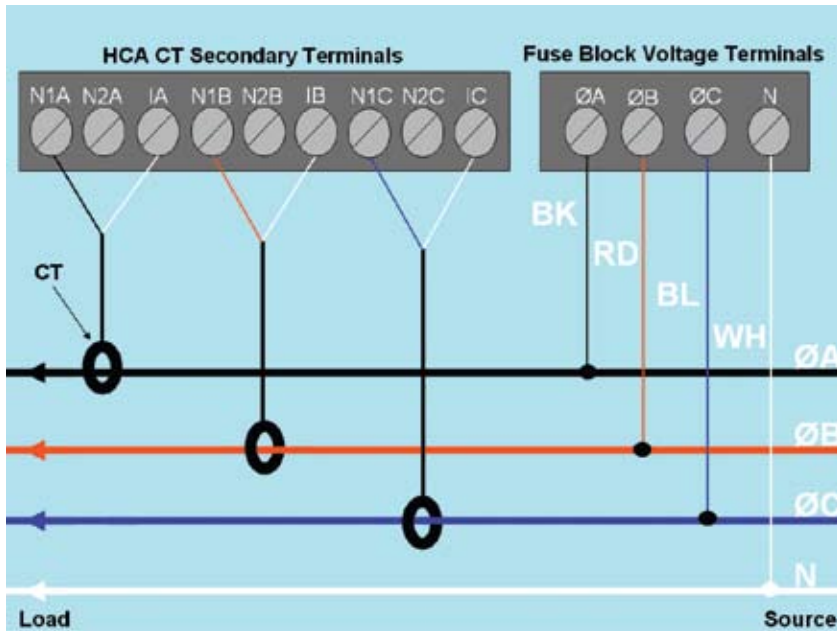
- Single-Phase kWh
- 3-Phase kWh
- 3-Phase Demand

## ● 3-Phase Large Service (1600 and 3200 AMP service only)

### 3-Phase 4-Wire Wye with High Current Adapter (HCA)



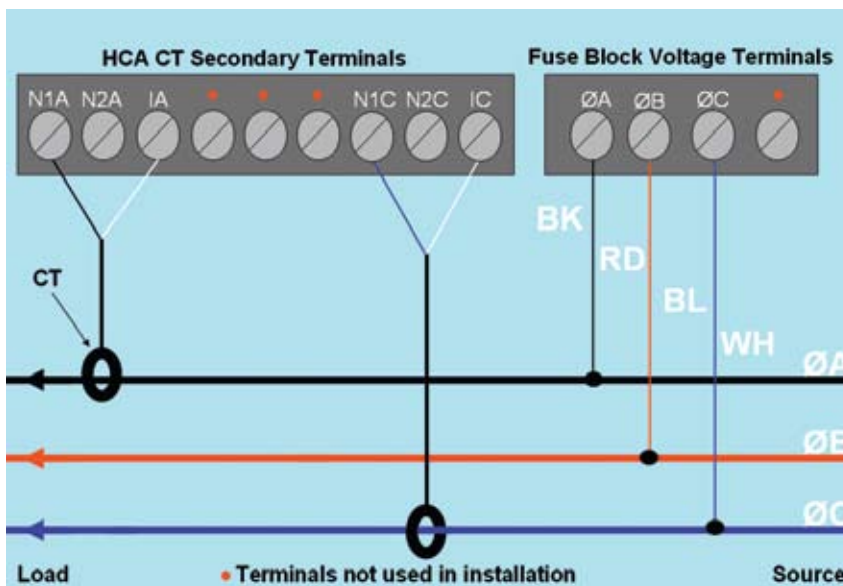
Fuse Block Connections: RSM-5 3-Phase 4-Wire Wye



### 3-Phase 3-Wire Delta with High Current Adapter (HCA)



Fuse Block Connections: RSM-5 3-Phase 3-Wire Delta



Diagrams are for reference only.

For complete installation instructions, please read the **RSM-5c Kit** & **RSM-5 Kit** Installation Manual.