

# ION7300 Series Switchboard Meter D4B-2F Option

Standard PowerLogic® ION7300 series FT-21 switchboard meters support D4B-3F and D4B-7F wiring. ION7300 series FT-21 meters can also be ordered with a custom D4B-2F wiring option.

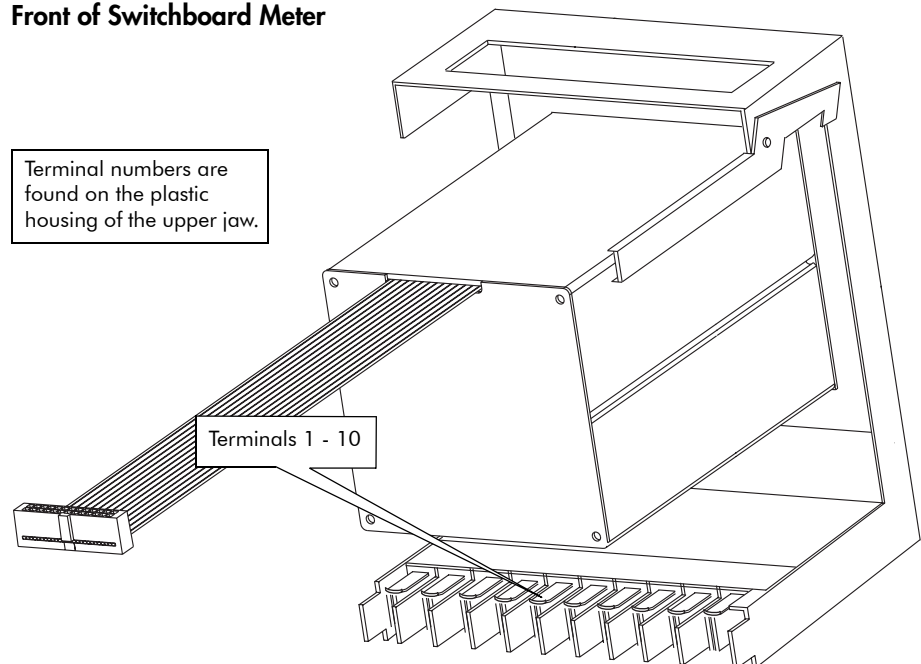
Use this document in conjunction with *ION7300 Series Installation Guide* and the *ION7300 Series Switchboard Meter* option document.

## Wiring Differences

The D4B-2F special order meter is wired differently in the factory than standard FT-21 switchboard meters. See table below for details.

FT-21 Type	Terminal Connector									
	1	2	3	4	5	6	7	8	9	10
D4B-2F	V1	I11	I12	V2	I21	I22	V3	I31	I32	Vref
D4B-3F	V1	V2	V3	I11	I12	I21	I22	I31	I32	Vref
D4B-7F	V1	V2	V3	I11	I12	I21	I22	I31	I32	Vref

**Front of Switchboard Meter**



Electrical equipment should be installed, operated, serviced, and maintained only by qualified personnel. No responsibility is assumed by Schneider Electric for any consequences arising out of the use of this material.

© 2006 Schneider Electric.  
All rights reserved.

[www.powerlogic.com](http://www.powerlogic.com)